

NEW → Swimmingpool-Light made V4A-stainless steel 316L 1.4571, Standard 4.0282



DESCRIPTION

- New installation with installation housing
- Spotlight, entirely made of V4A stainless steel 1.4571 EPOL
- Protection class IP68 – Water depth 5 m
- Round attachment cover, V4A stainless steel, (H3 mm, ø 240 mm)
- with 24 POW-LED (total 62 W), 12 V-DC
- with 24 POW-LED dimmable (total 62 W), 12 V-DC
- with 24 POW-LED (total 35 W), 12 V-DC coldwhite (6.000 K), neutralwhite (4.500 K), warmwhite (3.000 K), royalblue
- with 15 Multichip POW-LED RGB (all on 115 W), 12 V-DC
- POW-LED-Platine temperature control (onboard)
- light distribution especially for swimming pool lighting „Multiflux“
- Supplied with 3 m of special underwater cable
- Constant-current power source/ RGB controller ordered separately
- installation housing, depending on the installation situation must be ordered separately

APPLICATION

- For lighting medium and large swimming pools (from 12 x 25 m), water attractions, fountains installed in the wall or floor. Use with freshwater, chlorinated pool water and sea water.

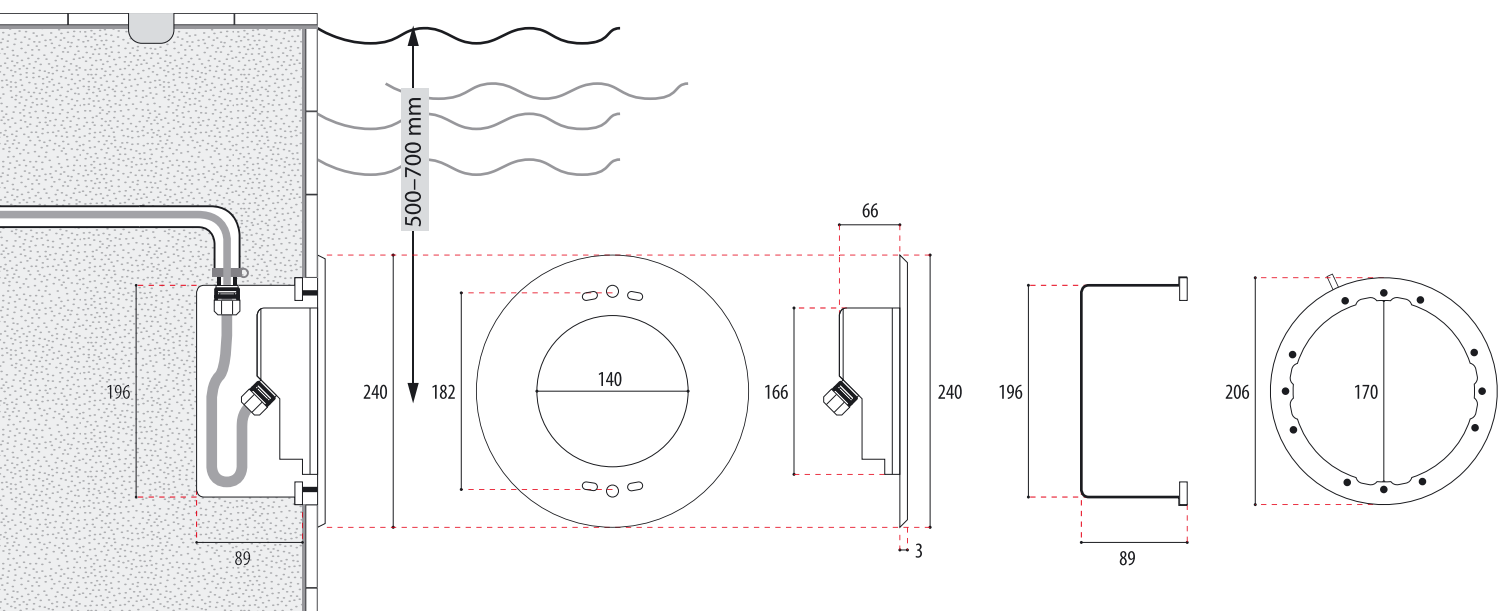
ACCESSORIES & POWER SUPPLIES see page 38 and 179+

REFERENCES

- Spotlights can (according to prior agreement) also be supplied without the connected cable to simplify installation with large cable lengths (up to max. 40m). The cable can be connected and cast to the connection box without opening the spotlight. (Cable: Monochrome 2x4,0 qmm, Monochrome dimmable 2x4,0+1x1,0 qmm, RGB 2x4,0+4x0,5 qmm)
- Suitable for installation in the floor (height of the spotlight totals 3 mm). Not suitable for pools with lifting floors.
- Version for saline water see page 32

OPTIONS ON REQUEST

- POW-LED with beam angle spot 10°, medium 30°, medium flood 45°, flood 90° and elliptical 15x40°
- POW-LED monochrome, single colour in green, red, amber, turquoise, capri blue
- Power supply pack/RGB controller in IP65 protective housing with 1 in/2 out on request. (5.0670.65.72)
- POW-LED capri blue (8 x blue, 8 x green, 8 x white)



Swimmingpool-Light made V4A-stainless steel 316L 1.4571, Standard ← NEW

4.0282



Article number	Lamps	Light colour	Wattage (TLF)	Tension	Radation angle	UW-Cable, installs	No. >205
Only underwater operation							
Standard 700 mA - New installation in combination with installation housing							
Round attachment cover 3 mm, 3 m UW cable mounted and cast							
4.0282.00.11	24 POW-LED cold white	6.000K	total 62 W (5520 lm)	12 V DC	30°-120° Multiflux	(2x4,0 qmm)	W82
4.0282.00.12	24 POW-LED warm white	3.000K	total 62 W (4560 lm)	12 V DC	30°-120° Multiflux	(2x4,0 qmm)	
4.0282.00.13	24 POW-LED neutral white	4.500K	total 62 W (5160 lm)	12 V DC	30°-120° Multiflux	(2x4,0 qmm)	
4.0282.00.16	24 POW-LED royal blue	460nm	total 62 W (650 mW/LED)	12 V DC	30°-120° Multiflux	(2x4,0 qmm)	
4.0282.00.19	15 Multichip POW-LED RGB		all on 115 W	12 V DC	45°-120° Multiflux	(2x4,0 + 4x0,5 qmm)	X15
NEW Standard 700 mA dimmable - New installation in combination with installation housing							
Round attachment cover 3 mm, 3 m UW cable mounted and cast							
4.0282.00.21	24 POW-LED cold white	6.000K	total 62 W (5520 lm)	12 V DC	30°-120° Multiflux	(2x4,0 + 1x1,0 qmm)	W82
4.0282.00.22	24 POW-LED warm white	3.000K	total 62 W (4560 lm)	12 V DC	30°-120° Multiflux	(2x4,0 + 1x1,0 qmm)	
4.0282.00.23	24 POW-LED neutral white	4.500K	total 62 W (5160 lm)	12 V DC	30°-120° Multiflux	(2x4,0 + 1x1,0 qmm)	
4.0282.00.26	24 POW-LED royal blue	460nm	total 62 W (650 mW/LED)	12 V DC	30°-120° Multiflux	(2x4,0 + 1x1,0 qmm)	
NEW Standard 350 mA - New installation in combination with installation housing							
Round attachment cover 3 mm, 3 m UW cable mounted and cast							
4.0282.00.01	24 POW-LED cold white	6.000K	total 35 W (3840 lm)	12 V DC	90°	(2x4,0 qmm)	
4.0282.00.02	24 POW-LED warm white	3.000K	total 35 W (3000 lm)	12 V DC	90°	(2x4,0 qmm)	
4.0282.00.03	24 POW-LED neutral white	4.500K	total 35 W (3360 lm)	12 V DC	90°	(2x4,0 qmm)	
4.0282.00.06	24 POW-LED royal blue	460nm	total 35 W (525 mW/LED)	12 V DC	90°	(2x4,0 qmm)	
installation housing							
4.0282.01.00	made of V4A stainless steel with 1.5 m protective cable tube and M20 plastic terminating connection, for installation in concrete pools with tile covering						
4.0282.02.00	made of V4A stainless steel with 1.5m protective cable tube and M20 plastic terminating connection, for installation in thin-walled pools and foil lined pools (pressure flange ø 244 mm)						
4.0282.03.00	made of V4A stainless steel with 1.5 m protective cable tube and M20 plastic terminating connection, for installation in pools with adhesive/foil coating (adhesive flange ø 350 mm)						
4.0282.04.00	made of V4A stainless steel with 1.5 m protective cable tube and M20 plastic terminating connection, for welding into stainless steel pools						

Swimmingpool-Light made V4A-stainless steel 316L 1.4571, Standard power supplies & Accessories – 4.0281 · 4.0282

5.0670.01.72 – IP20, 12V/DC, for max. 1 spotlight; connection only of 24 POW-LED 700 mA monochrome module series 4.0282/281 – see page 184

5.0670.02.72 Power supply – IP20, for H-rail mounting, 12V/DC, 70-140W, for 1 – max. 2 spotlights, connection only of 24 POW-LED 700 mA monochrome module series 4.0282/281 – see page 184

5.0670.04.72 Power supply – IP20, for H-rail mounting, 12V/DC, 70-280 W, for 1 – max. 4 spotlights; connection only of 24 POW-LED 700 mA monochrome module series 4.0282/281 – see page 184

5.0670.09.45 RGB-Controller – IP20, for H-rail mounting, 700 mA, 12 V-DC, 1-130 W, for max. 1 spotlight, DMX in/out, Master/Slave, Stand-alone programs, connection only of 15 Multichip POW-LED RGB 700 mA module series 4.0282/282 – see page 184

5.0670.12.72 Power supply, dimmable – IP20, for H-rail mounting, 12V/DC, 70-140W, dimmable 1...10 V, Dali; for 1 – max. 2 spotlights, connection only of 24 POW-LED 700 mA monochrome dimmable module series 4.0282/281 – see page 184

9.9011.00.25 Sealing compound – 2-K cartridge, 250 ml, with mixing tube – see page 191

9.0670.65.72 mounting housing – plastic, IP65, with 1 in/1 out, suitable for power supplies and RGB Controller series 4.0282/281 – see page 184

9.6150.02.40 Special underwater cable – per m, 2 x 4 qmm, ø 9 mm – see page 188

9.6150.04.10 Special underwater cable – per m, 2 x 4 qmm + 1 x 1,0 qmm, – see page 188

9.6150.04.40 Special underwater cable – per m, 2 x 4 qmm + 4 x 0,5 qmm, ø 11 mm – see page 188

9.0274.00.10 Fixation bracket – for built-in pot 4.0274 (Spotlight 4.0271, 4.0272, 4.0281)

Spotlight ↓

Power supplies

Accessories

4.0281.00.01	● 1	● 1-2	● 1-4		●				●
4.0281.00.02	● 1	● 1-2	● 1-4		●				●
4.0281.00.03	● 1	● 1-2	● 1-4		●				●
4.0281.00.06	● 1	● 1-2	● 1-4		●				●
4.0281.00.11	● 1	● 1-2	● 1-4		●				●
4.0281.00.12	● 1	● 1-2	● 1-4		●				●
4.0281.00.13	● 1	● 1-2	● 1-4		●				●
4.0281.00.16	● 1	● 1-2	● 1-4		●				●
4.0281.00.19				● 1	●			●	●
4.0281.75.01	● 1	● 1-2	● 1-4		●				●
4.0281.75.02	● 1	● 1-2	● 1-4		●				●
4.0281.75.03	● 1	● 1-2	● 1-4		●				●
4.0281.75.06	● 1	● 1-2	● 1-4		●				●
4.0281.75.11	● 1	● 1-2	● 1-4		●				●
4.0281.75.12	● 1	● 1-2	● 1-4		●				●
4.0281.75.13	● 1	● 1-2	● 1-4		●				●
4.0281.75.16	● 1	● 1-2	● 1-4		●				●
4.0281.75.19				● 1	●			●	●
4.0282.00.01	● 1	● 1-2	● 1-4		●				●
4.0282.00.02	● 1	● 1-2	● 1-4		●				●
4.0282.00.03	● 1	● 1-2	● 1-4		●				●
4.0282.00.06	● 1	● 1-2	● 1-4		●				●
4.0282.00.11	● 1	● 1-2	● 1-4		●				●
4.0282.00.12	● 1	● 1-2	● 1-4		●				●
4.0282.00.13	● 1	● 1-2	● 1-4		●				●
4.0282.00.16	● 1	● 1-2	● 1-4		●				●
4.0282.00.19				● 1	●			●	●
4.0282.00.21					● 1-2				
4.0282.00.22					● 1-2			●	
4.0282.00.23					● 1-2			●	
4.0282.00.26					● 1-2			●	
4.0282.01.00									
4.0282.02.00									
4.0282.03.00									
4.0282.04.00									
5.0670.01.72									
5.0670.02.72						●			
5.0670.04.72						●			
5.0670.09.45						●			

for encapsulating max. 4 spotlights 4.0282/4.0281